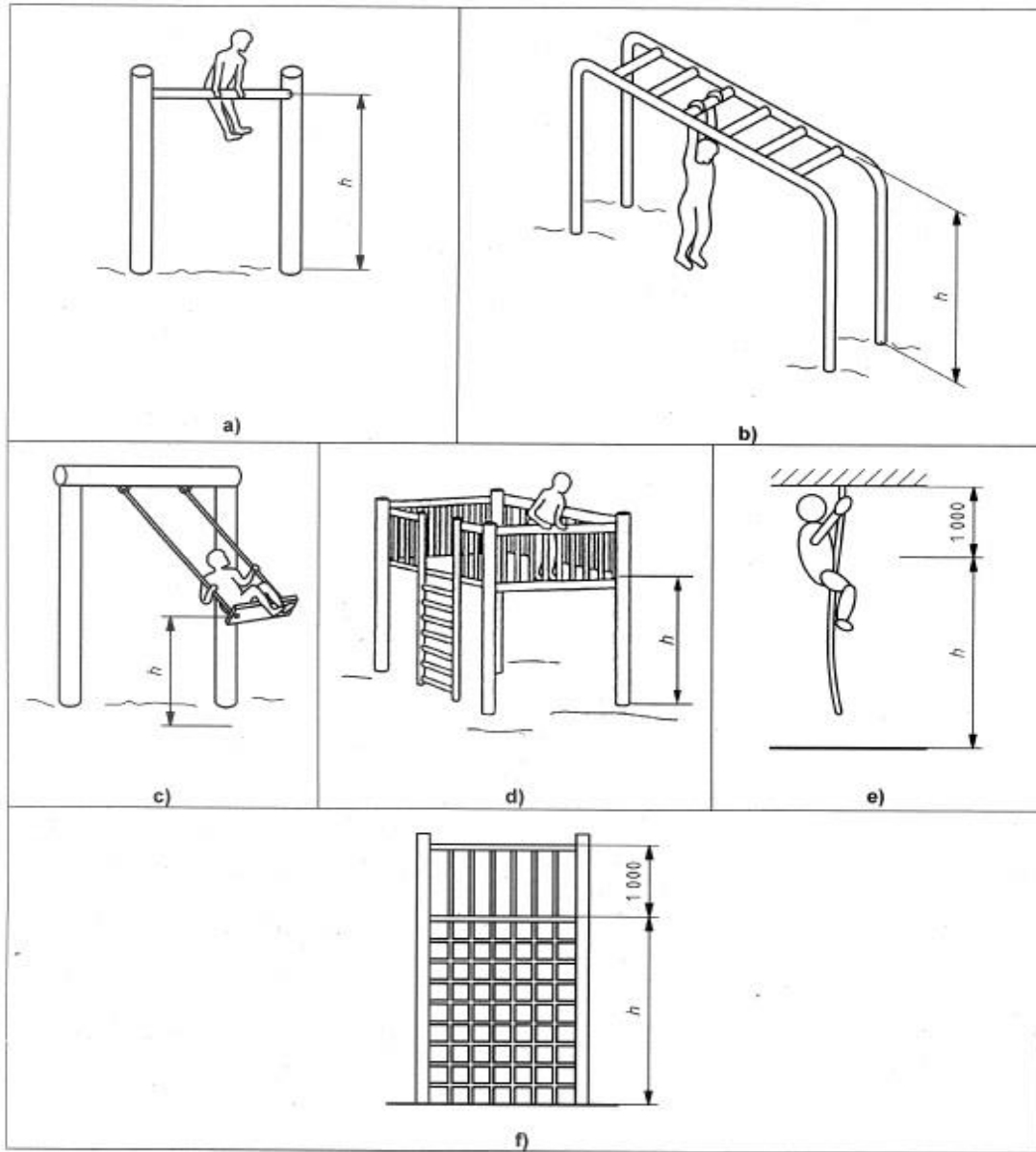
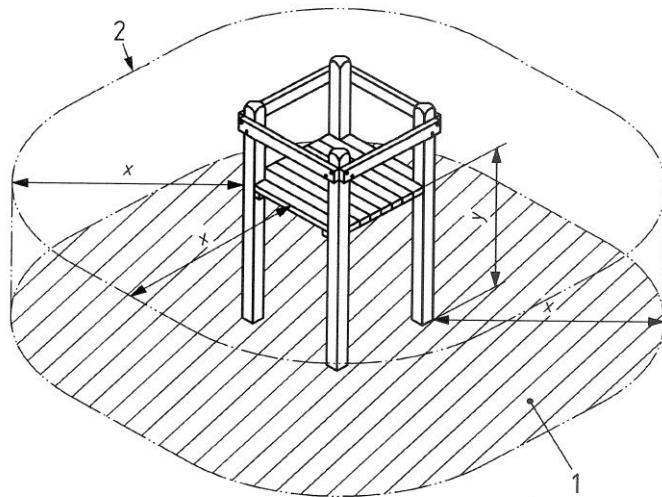


Dimensions in millimetres



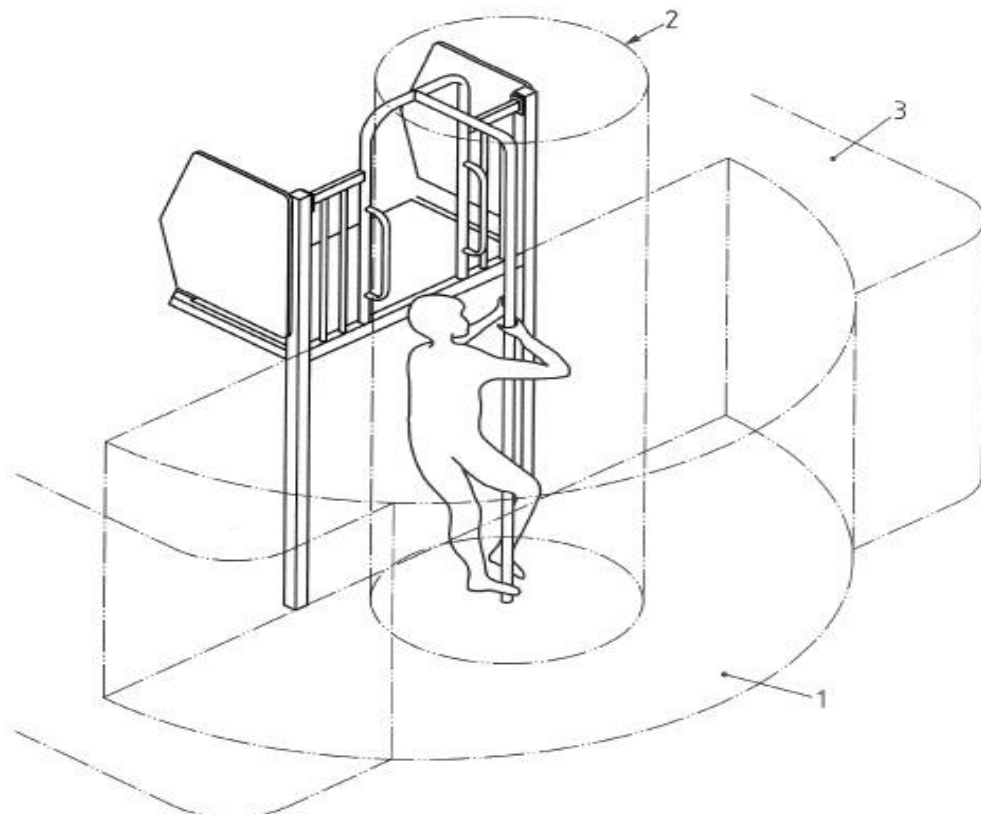
Key
 h free height of fall

Examples showing free height of fall



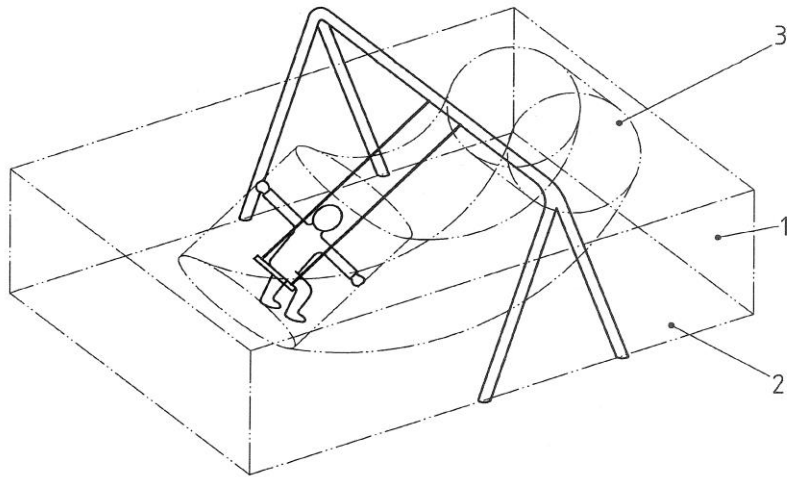
- Key**
- 1 impact area
 - 2 falling space
 - x extent of falling space
 - y height of falling space

Example of falling space and impact area of a platform



- Key**
- 1 falling space of the fireman's pole
 - 2 free space of the fireman's pole
 - 3 falling space of platform

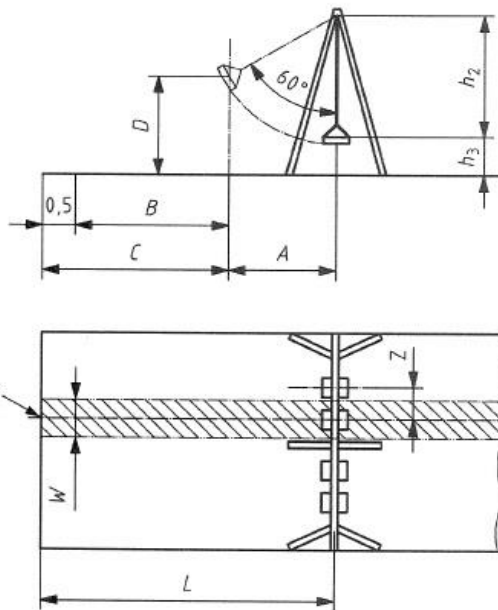
Example of falling space and free space of a fireman's pole



Key

- 1 space occupied by the equipment
- 2 falling space
- 3 free space

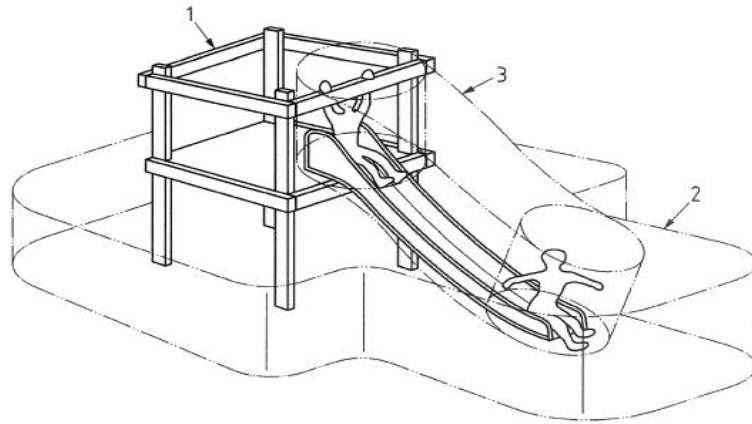
Free space, falling space and impact area of a swing



Key

- A $0,867 \times h$
- B 1,75 m for level impact absorbing surface (normally synthetic)
- C 2,25 m for contained impact absorbing surfaces (normally loose fill)
- D maximum free height of fall
- L $A + B$ or $A + C$
- W width of the falling space
- Z distance from swing axis to swing axis
- h_2 length of swing suspension member
- h_3 height of seat
- 1 area to be covered by impact absorbing surface under each swing position

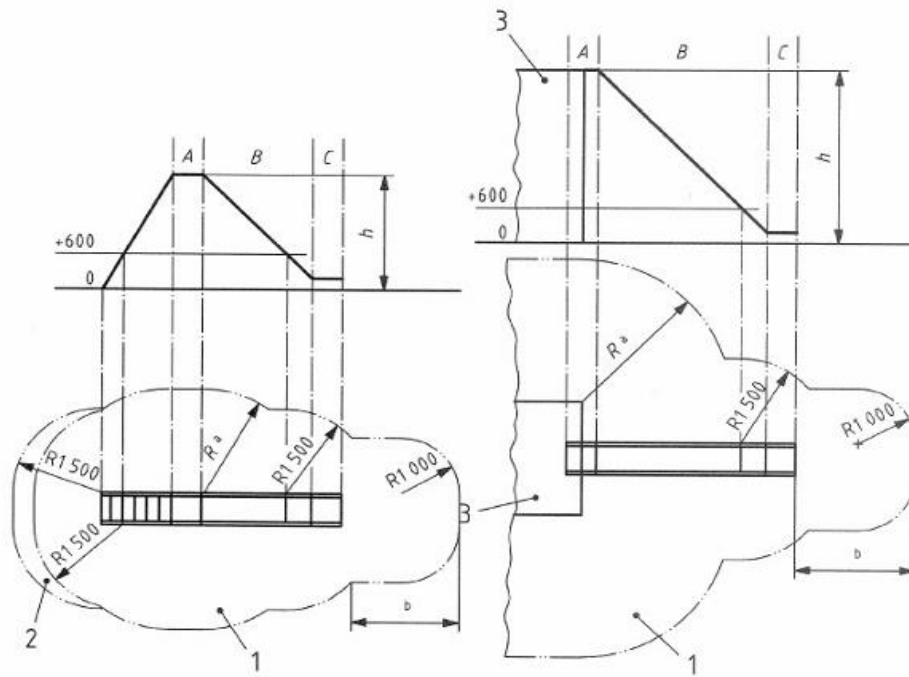
Free height of fall and surfacing requirements beneath a swing



- Key**
- 1 space occupied by equipment
 - 2 falling space
 - 3 free space

Spaces

Dimensions in millimetres



a) Free-standing slide

b) Attachment slide

- Key**
- A starting section
 - B sliding section
 - C run-out section
 - 1 impact area
 - 2 impact area surface with no test requirement (see EN 1176-1:2008, 4.2.8.5.3)
 - 3 play structure
 - h free height of fall
 - a depending on free height of fall
 - b depending on the type of run-out section

Impact area of slides